

# Self-sealing nipple

for pressure gauges and transmitters  
in brass or stainless steel

E 09.07.02

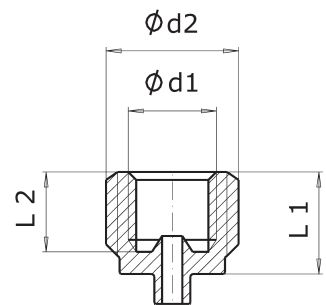
Ed.22.01

## Self-sealing nipple

Self-sealing nipples are used to adapt a smaller size threaded connection to a larger one. Due to their design, the nipples are self-sealing. To protect against inadvertent release of the two threaded parts, they are secured with a special adhesive.



Type	Female d1	Male d2	Material	L1	L2	Code
9107	G1/8"	G1/4"	brass	14,5	11	91070000
8107	G1/8"	1/4"NPT	brass	13,5	13	81070000
9108	G1/4"	G3/8"	brass	19	15,5	91080000
9218	G1/4"	G3/8"	1.4571	19	15,5	92180000
9109	G1/4"	G1/2"	brass	19	15,5	91090000
9219	G1/4"	G1/2"	1.4571	19	15,5	92190000
9217	G1/4"	1/2"NPT	1.4571	19	15,5	92170000
8030	G3/8"	G1/2"	brass	23	19	80300000
8031	G3/8"	G1/2"	1.4571	23	19	80310000
8032	G3/8"	1/2"NPT	1.4571	23	19	80320000



### Working pressure

Brass PN 400 bar at medium temperature max +60°C

Stainless steel PN 600 at medium temperature max +200°C